

EPSON

NB: Part Number rationalisation – 10 digit part numbers in brackets are the old numbers for otherwise identical items

TM-U220B(007)

Standard version – White

Page No.:1

REF	PART NO	DESCRIPTION	SPEC	QTY
102	1038983	COVER, WHITE, POWER SWITCH,BA	WHITE	1
103	1042315	SHIELD TUBE M-T88		2
104	1051986	SCREW,MANUAL CUTTER		1
105	1051988	SCREW,SWITCH,1		1
106	1061077	SEAL,CAUTION,C		1
107	1062174	LOGO PLATE,AB		2
108	1235775	CASE, TOP,BA		1
109	1235778	COVER,RIBBON,AA		1
110	1235786	SWITCH PANEL,AA		1
111	1235788	LABEL,OPERATION,B		1
112	1235865	RUBBER FOOT		4
113	1235960	AUTO CUTTER UNIT		1
114	1235961	FRAME CUTTER ASS'Y		1
115	1235963	COVER CUTTER ASS'Y		1
117	1235966	MOTOR,CUTTER SUB ASS'Y		1
118	1237242	GUARD TUBE,C		1
119	1250879	COVER,ROLL PAPER ASS'Y,BA		1
120	1259717	MECHANISM ASS'Y,BB		1
121	2029978	MICRO SWITCH	2,5V,0.1A	1
122	2033907	RS-232 I/F CIRCUIT BOARD UNIT,BB	,	1
123	2081775	SUB CIRCUIT BOARD UNIT,AA	TM-U220	1
124	2081786	AC ADAPTER ,(POWER SUPPLY)		1
S01	1074121	C.P.S.(O) SCREW(B302404211)	M3X6	8
S02	1073844	C.B.S-TITE,3X5,F/ZN(B043700511)	M3X5 F/ZN	4
S03	1073165	C.B.S. SCREW(B300204211)	M3X6	7
S04	1006769	C.B. SCREW	2X2.5,F/ZN	1
S13	1073162	C.B.S. SCREW(B300200111)	M3X4	2
201	2081760	MAIN CIRCUIT BOARD UNIT,AAA	STD./4M,ANK	1
501	1051986	SCREW,MANUAL CUTTER		2
502	1051988	SCREW,SWITCH,1		1
503	1235228	PRINT HEAD UNIT AD	TM-U220	1
504	1235666	LEVER,PLATEN RELEASE		1
505	1235686	PULLEY,BELT DRIVE		1
506	1235688	SHAFT HOLDER,ADJUSTMENT ROLLER		2
507	1235694	CARRIAGE BELT		1
508	1235707	PLATE,PAPER HOLD		1
509	1235713	GEAR,PAPER FEED MIDDLE		1
510	1235716	GEAR,PAPER FEED MIDDLE,B		1
511	1235718	PLATE,PAPER FEED ROLLER,B		1
512	1235724	GEAR,RIBBON MIDDLE		1
513	1235755	FIXED BLADE		1
514	1235940	PAPER END ASS'Y		1
515	1235946	COVER OPEN ASS'Y		1
516	1235949	GEAR RIBBON TAKE-UP SUB ASS'Y		1
517	1235950	PLATE,RIBBON DRIVE SUB ASS'Y		1
518	1235951	HP BOARD ASS'Y		1
519	1235967	FRAME RIBBON ASS'Y		1
520	1236583	LABEL,OPERATION,C		1
521	2081600	FFC,HEAD		1
522	1235957	PLATEN ASS'Y,1		1

EPSON

NB: Part Number rationalisation – 10 digit part numbers in brackets are the old numbers for otherwise identical items

TM-U220B(007)

Standard version – White

Page No.:2

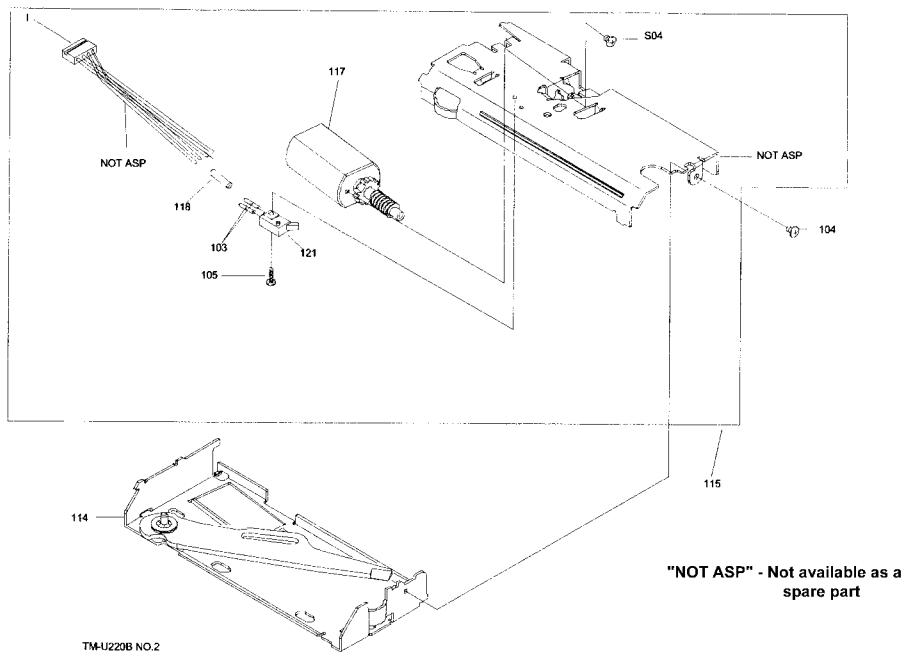
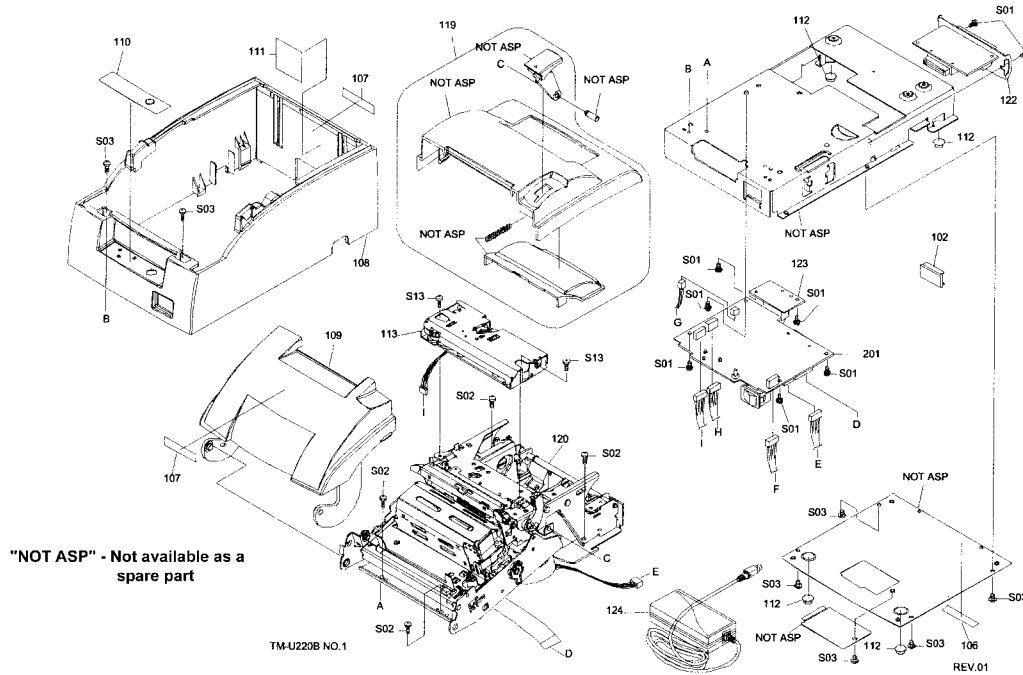
E01	1074104	RETAINING RING(B150300611)	TYPE-E(3)	8
E02	1074111	RETAINING RING(B150350111)	TYPE-E(2.3)	3
E03	1074107	RETAINING RING(B150300711)	TYPE-E(4)	2
S05	1005019	C.B.P-TITE SCREW,3X8,F/ZN	M3X8 F/ZN	5
S06	1009903	SCREW(P TIGHT)(B320104411)	M3X10 F/ZN	1
S07	1012350	C.B.P-TITE,3X10,F/ZN		2
S08	1024130	C.B.P-TITE SCREW,3X6,F/ZN		3
S09	1073162	C.B.S. SCREW(B300200111)	M3X4	4
S10	1073165	C.B.S. SCREW(B300204211)	M3X6	6
S11	1073844	C.B.S-TITE,3X5,F/ZN(B043700511)	M3X5 F/ZN	9
S12	1074022	C.P.S.P.S. SCREW(B302604311)	3X8	1
S14	1074121	C.P.S.(O) SCREW(B302404211)	M3X6	1
W02	1074091	PLAIN WASHER(B100157612)	3X0.5X7	1
051	1080605	GREASE G-15 (40GR)[B701500001]	M-350 CR-900	1
052	1080619	GREASE G-36 (40GR)(B703600001)	M-1541/M-820	1
053	1027765	OIL O-10(40GR)	M-U200/DLQ1000K	1
054	1213123	TENSION GAUGE 2000CN		1
055	1080566	THICKNESS GAUGE(B776700201)	0.45MM	1
056	1080567	THICKNESS GAUGE(B776700301)	0.50MM	1
057	1080568	THICKNESS GAUGE[B776700401]	0.55MM	1
END				

NB: Part Number rationalisation – 10 digit part numbers in brackets are the old numbers for otherwise identical items

TM-U220B(007)

Standard version – White

Page No.:3

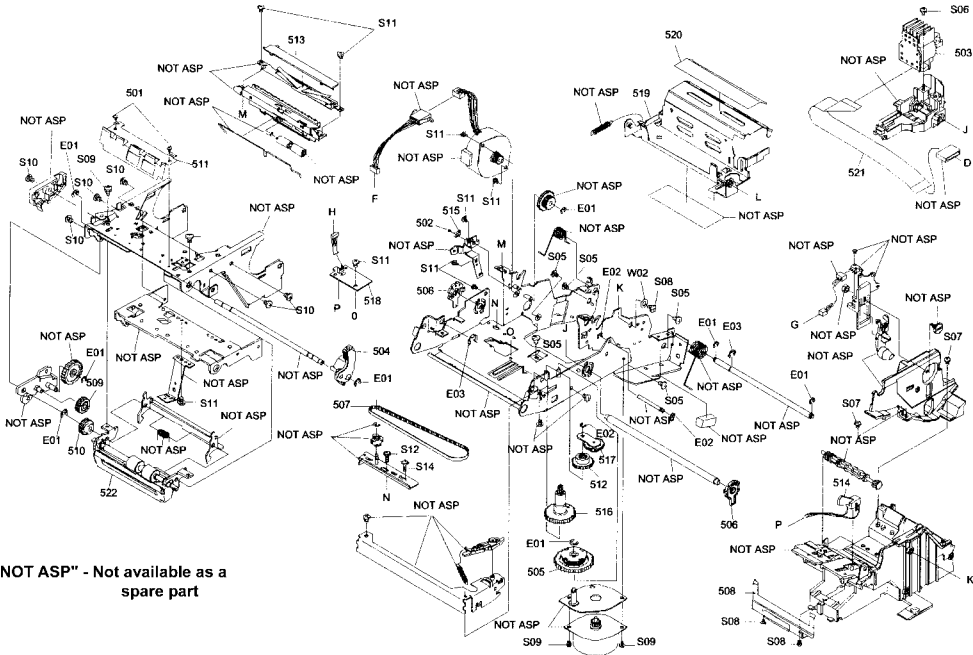


NB: Part Number rationalisation – 10 digit part numbers in brackets are the old numbers for otherwise identical items

TM-U220B(007)

Standard version – White

Page No.:4



"NOT ASP" - Not available as a spare part

TM-U220B NO.3

REV.01